

## AFTERCARE INSTRUCTIONS

Always remove water splashes after use.

Do not scrub or scour the surfaces - we recommend a soft damp cloth for cleaning.

If cleaning agents must be used, ensure they are suitable for wooden products.

Do not use bleach, neat disinfectant or household bathroom cleaners as these are not suitable for wooden products.

The surface of this panel should not need polishing. If a polish must be used we recommend a wax free polish type as this does not smear.

## CUSTOMER SERVICE

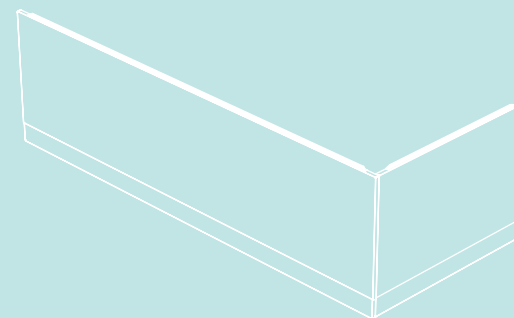
t: +44(0)208 686 5100  
e: [technical@saneux.com](mailto:technical@saneux.com)

4 Imperial Way  
Croydon CR0 4RR

[www.saneux.com](http://www.saneux.com)

# AGUA MAISON

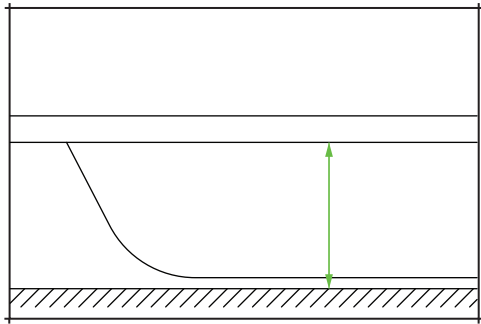
## INSTALLATION INSTRUCTIONS



BP170, BP180, BPO70

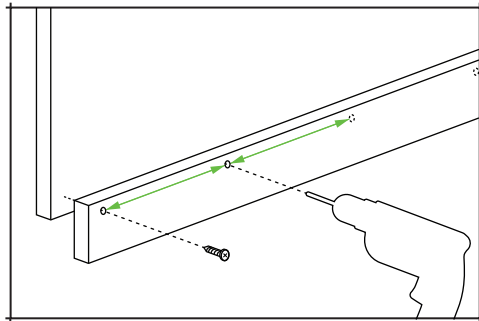
saneux

Take care when drilling any surfaces as the drill might slip, wear suitable eye protection when drilling. If in any doubt please consult an expert.

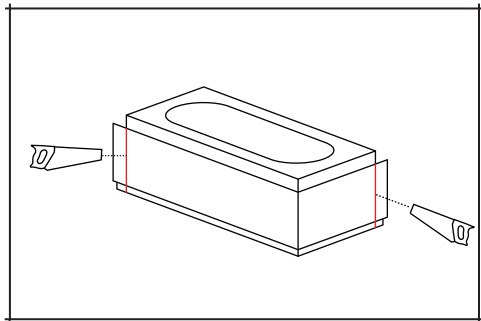


Measure from the underside of the bath rim to the floor to establish the height of the bath panels required.

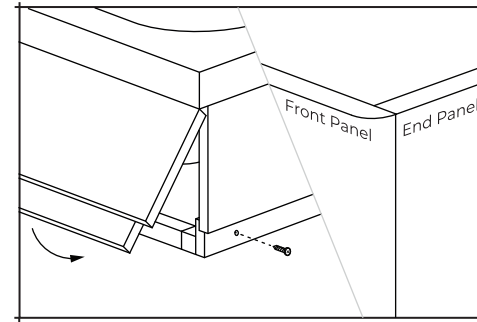
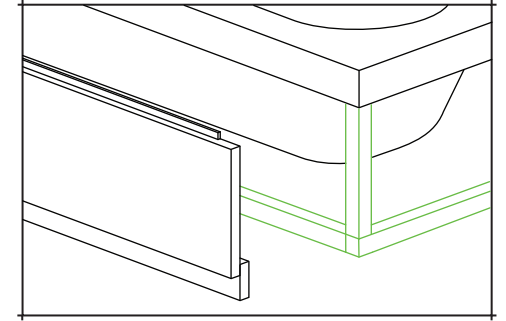
Drill equally spaced holes along the plinth and screw to the bottom edge of the main panel at the desired height.



When an end panel is used, it is necessary to trim the panel and plinth to length. Any trimming should be done at the wall end to ensure that the finished edge is at the visible corner.



It is advisable that you build a frame or fit battens along the floor and down the wall sides to support the panel.



Fasten the panels by securing the plinth to the wooden frame.

Any cut or trimmed edges must be sealed against water ingress. It is also advisable to seal all the outer edges of the panels and in particular the underside of the bath lip where the panels meet.

